



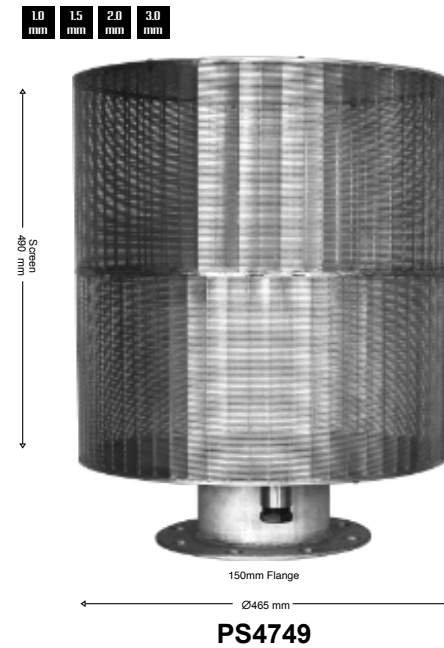
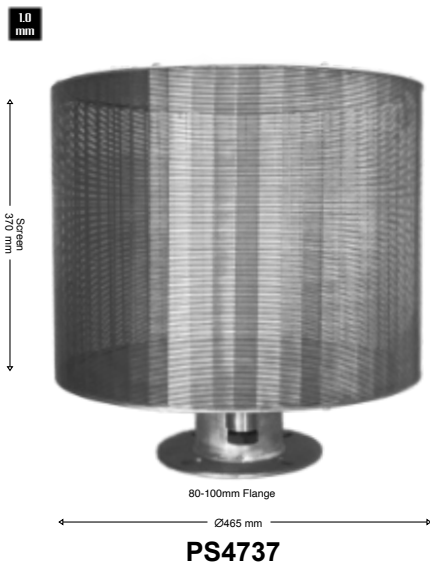
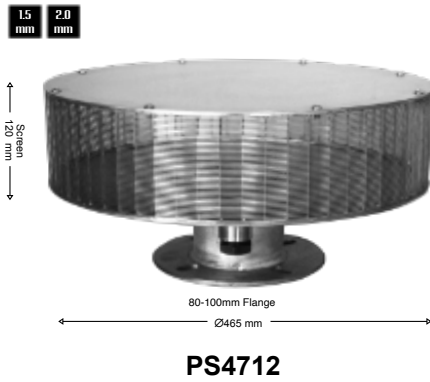
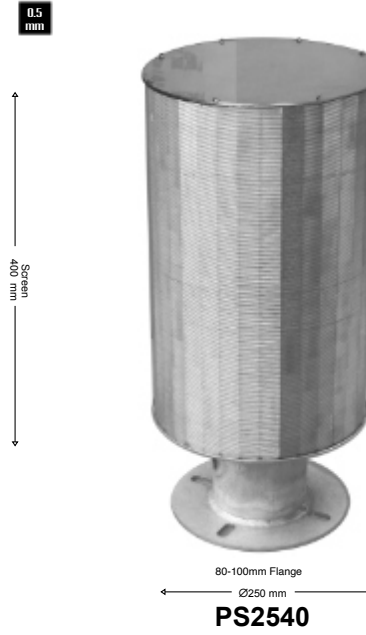
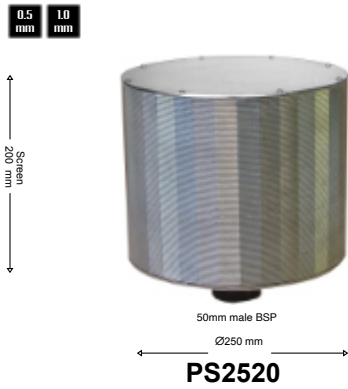
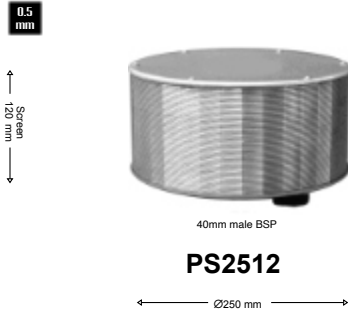
PS Passive Screens

Our passive screens are constructed from stainless 3mm wedge-wire. As per the table below, there are various gap size options.

While standard outlet sizes are listed in the table, we can provide the screens with any connection type you require.

Some of the finer mesh sizes can be paired with a foot valve in gravity feed situations to filter out fine particles. If a self-cleaning mechanism is required, our KSR fixed screen, self-cleaning models come in similar sizes to the passive screens - so you can choose passive or self-cleaning, depending on your situation.

Model	Diameter	Length	Outlet	Gap
PS2512	250mm	120mm	40mm male BSP	0.5mm
PS2520	250mm	200mm	50mm male BSP	0.5, 1.0mm
PS2540	250mm	400mm	80-100 Flange	0.5mm
PS4712	465mm	120mm	80-100 Flange	1.5, 2.0mm
PS4725	465mm	245mm	80-100 Flange	1.0, 1.5, 2.0, 3.0mm
PS4737	465mm	370mm	80-100 Flange	1.0mm
PS4749	465mm	490mm	150 Flange	1.0, 1.5, 2.0, 3.0mm



Damage Protection Air Intake Hose Connection

Larger models come standard with an air intake connection to prevent them from collapsing under suction in situations where screens become completely blocked from silt or other debris.

The the 25mm female bsp air inlet is supplied with a screw-in bung but can be attached to a hose which sits above the water level. If the screen becomes too blocked, it will draw air into the suction line, shutting off the pump and preventing the screen from collapsing.

